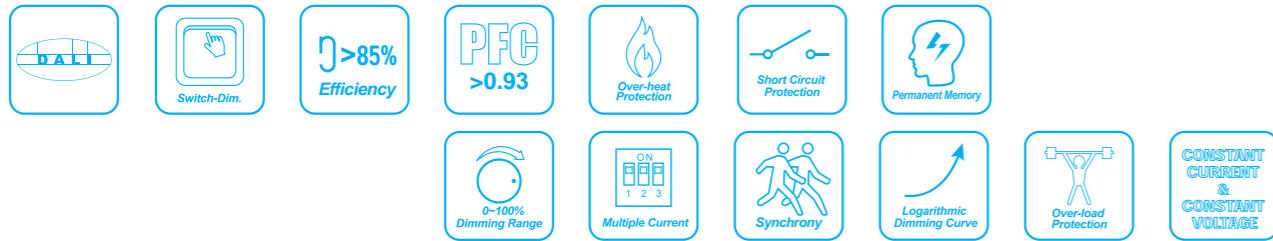
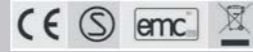


CONSTANT CURRENT & VOLTAGE

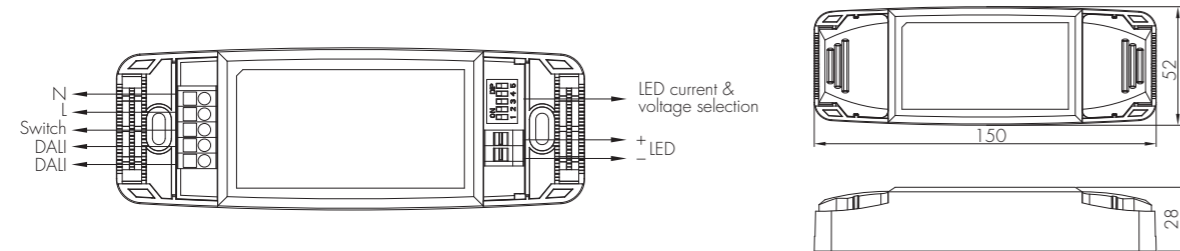
DALI LED Driver Economy Series

Model: HED2020, HED2040, HED2050,
HED2060, HED2060-A2, HED4030-A,
HED6030-A, HED2075-A, HED3075-A

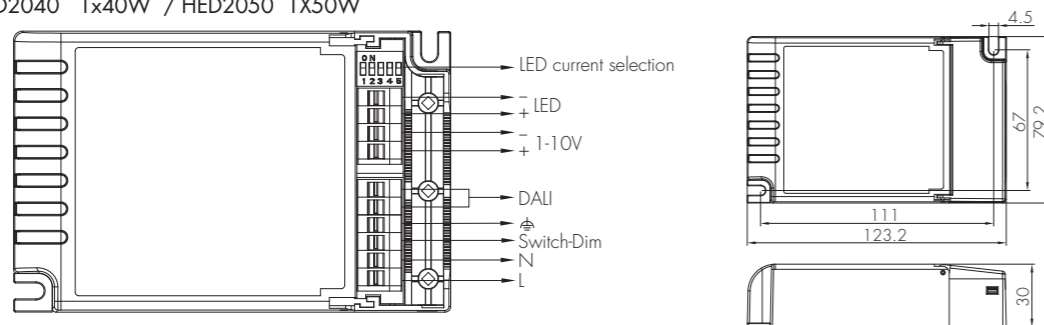


Mechanical Structure

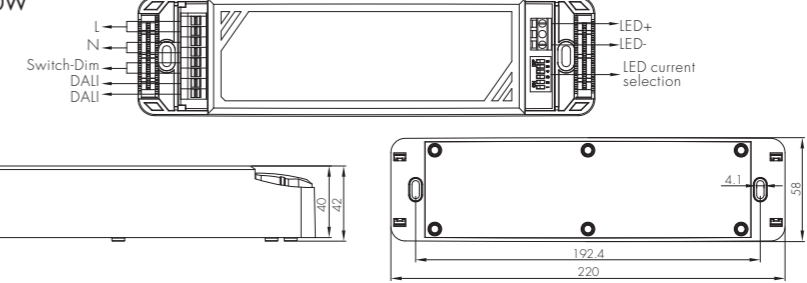
Model: HED2020 1x20W



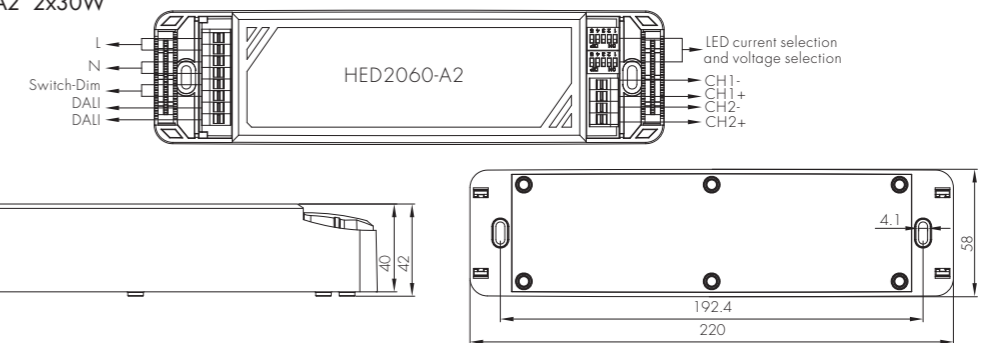
Model: HED2040 1x40W / HED2050 1x50W



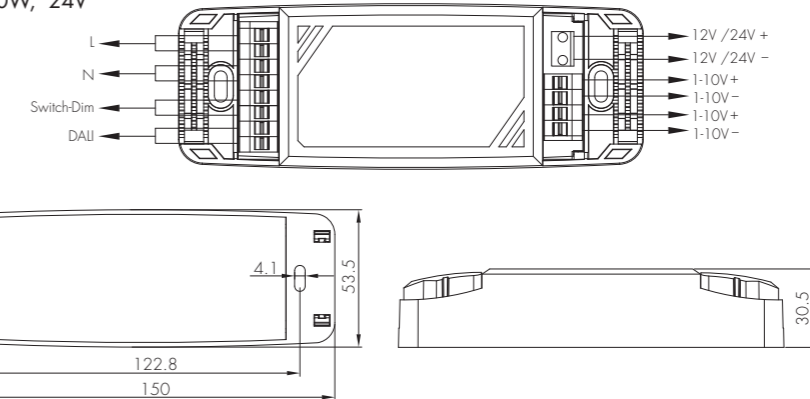
Model: HED2060 1x60W



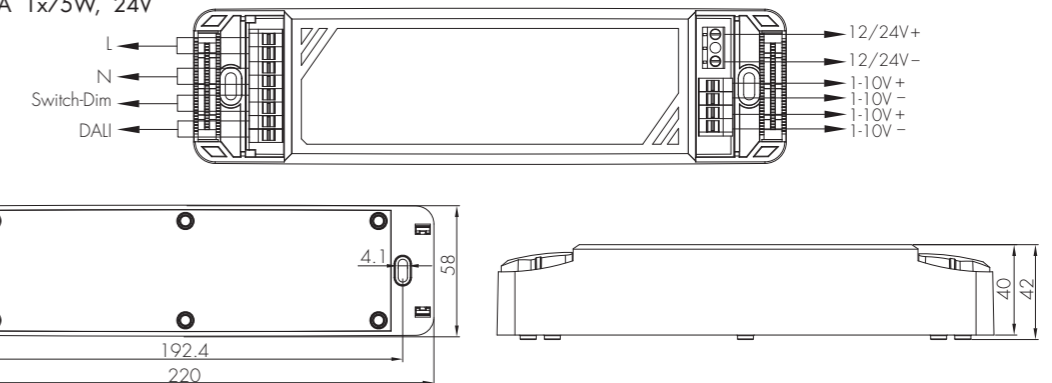
Model: HED2060-A2 2x30W



Model: HED4030-A 1x30W, 12V
HED6030-A 1x30W, 24V



Model: HED2075-A 1x75W, 12V
HED3075-A 1x75W, 24V



LED Current & Voltage Selection

The current & voltage can be easily configured by choosing the correct combination of the DIP switches (see table in the below).



LED Current & Voltage Selection

HED2020, 1x20W						HED2040, 1x40W					HED2050, 1x50W					HED2060, 1x60W						HED2060-A2, 2x30W								
mA/V	1	2	3	4	5	mA	1	2	3	4	5	mA	1	2	3	4	5	A	1	2	3	4	5	6	mA/V	1	2	3	4	5
24V	○	●	●	●	●	350mA	○	○	○	○	○	700mA	○	○	○	○	○	2.10A	●	●	●	●	●	●	24V	○	●	●	●	●
12V	○	○	○	○	○	400mA	○	○	○	○	○	750mA	○	○	○	○	○	2.00A	○	○	○	○	○	○	12V	○	○	○	○	○
900mA	○	○	○	○	○	450mA	○	○	○	○	○	800mA	○	○	○	○	○	1.75A	○	○	○	○	○	○	900mA	○	○	○	○	○
700mA	○	○	○	○	○	500mA	○	○	○	○	○	850mA	○	○	○	○	○	1.60A	○	○	○	○	○	○	700mA	○	○	○	○	○
500mA	○	○	○	○	○	550mA	○	○	○	○	○	900mA	○	○	○	○	○	1.40A	○	○	○	○	○	○	500mA	○	○	○	○	○
350mA	○	○	○	○	○	600mA	○	○	○	○	○	950mA	○	○	○	○	○	1.20A	○	○	○	○	○	○	350mA	○	○	○	○	○
						650mA	○	○	○	○	○	1000mA	○	○	○	○	○	1.05A	○	○	○	○	○	○						
						700mA	○	○	○	○	○	1050mA	○	○	○	○	○													
						750mA	○	○	○	○	○	1100mA	○	○	○	○	○													
						800mA	○	○	○	○	○	1150mA	○	○	○	○	○													
						850mA	○	○	○	○	○	1200mA	○	○	○	○	○													
						900mA	○	○	○	○	○	1250mA	○	○	○	○	○													
						950mA	○	○	○	○	○	1300mA	○	○	○	○	○													
						1000mA	○	○	○	○	○	1350mA	○	○	○	○	○													
						1050mA	○	○	○	○	○	1400mA	○	○	○	○	○													
						1100mA	○	○	○	○	○																			

Switch - Dim



- On/off control: short push (<0.4s) on the switch.
- Note: Short push should be at least 0.12s, and the time interval between two pushes should be longer than 0.12s also.
- Stepless dimming: long push (>0.9s) on the switch.
- For fine tuning of light level: with every other long push, the light level goes to the opposite direction.
- Built-in with permanent memory: light returns to the previous dimming level when switched off and on again, even at power failure.

Synchronization

Up to 64pcs drivers can be connected to the same switch, thanks to the programme. This means there is no need for any additional synchrony wire in large installation, where many drivers should be controlled by one switch.

Please follow the step below to achieve synchronization function if more than one driver are connected to the same push button:

- Do a long push for more than 1.5s, then the system is synchronized and all lights in the group dim down to 50%.

Permanent Memory

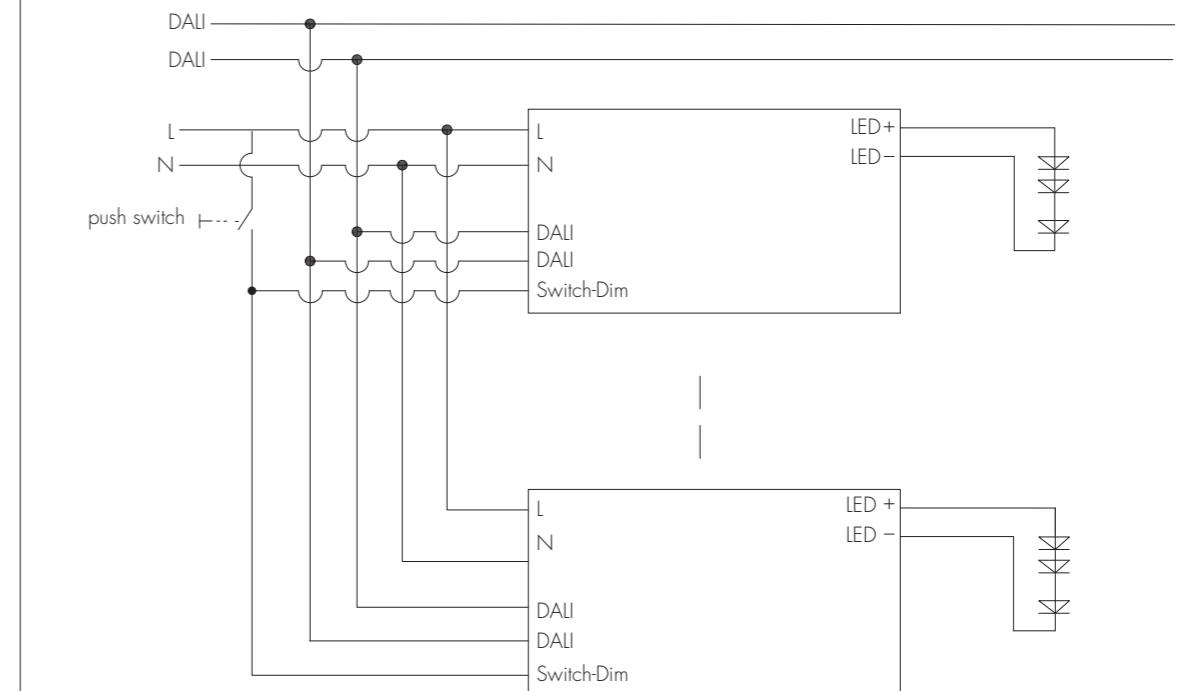
This driver has built-in permanent memory against power failure, which means the light always starts up at the previous level when it was switched off last time.

Manual Override

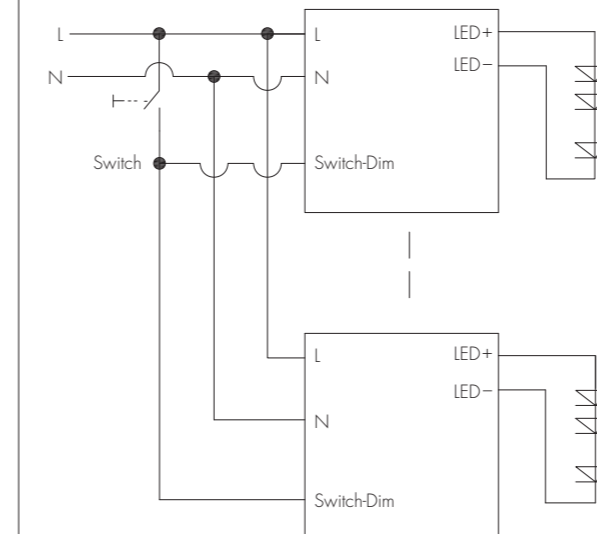
DALI and switch-Dim. can be connected at the same time, to enable manual override function for end-users to switch on/off or adjust the dimming level by the push-switch. This feature makes the product more user-friendly, and could provide more options for some extra-ordinary demands.

- * Short push (<0.4s): on/off control.
- * Long push (>0.9s): dim up/down the dimming level.
- * If customers do not want to have this manual override function, just leave the "switch" terminal alone, and not connected to any wire.
- * This manual override is only valid before the next DALI command, meaning the latest action, either from DALI, switch-Dim, stays in control.

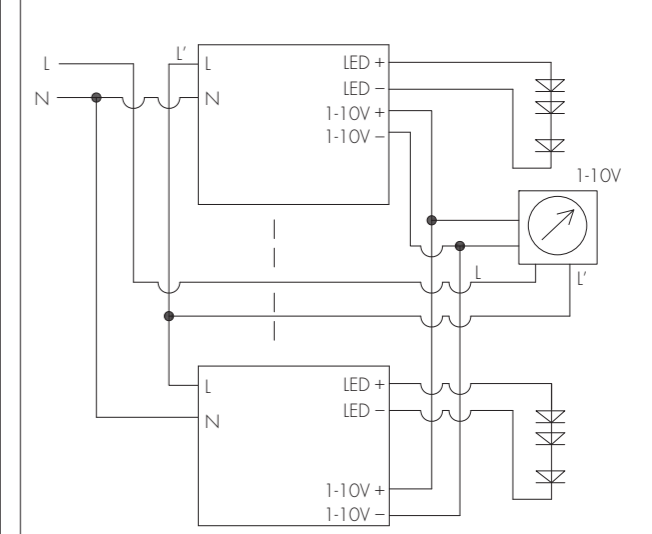
DALI + Switch-Dim Wiring Diagram



Switch-Dim Wiring Diagram



1-10V Wiring Diagram



⚠ Warning: Please make sure the correct current is selected before starting the driver!

Driver Specification					
Model No.	HED2020	HED2040	HED2050	HED2060	HED2060-A2
Mains voltage	220~240VAC 50/60Hz	220~240VAC 50/60Hz	220~240VAC 50/60Hz	220~240VAC 50/60Hz	220~240VAC 50/60Hz
Mains current	0.125~0.115A	0.23~0.21A	0.3~0.25A	0.35~0.27A	0.35~0.27A
Max. output power/current/voltage	15W /350mA /9~45V 20W /500mA /9~43V 20W /700mA /9~30V 20W /900mA /9~23V Constant voltage 20W /12V 20W /24V	20W /350mA /12~58V 23W /400mA /12~58V 26W /450mA /12~58V 29W /500mA /12~58V 32W /550mA /12~58V 35W /600mA /12~58V 38W /650mA /12~58V 40W /700mA /12~58V 42W /750mA /12~56V 45W /800mA /12~56V 45W /850mA /12~53V 45W /900mA /12~50V 45W /950mA /12~47V 45W /1000mA /12~45V 45W /1050mA /12~43V 45W /1100mA /12~41V	41W /700mA /12~58V 44W /750mA /12~58V 47W /800mA /12~58V 49W /850mA /12~58V 50W /900mA /12~56V 50W /950mA /12~53V 50W /1000mA /12~50V 50W /1050mA /12~48V 50W /1100mA /12~45V 50W /1150mA /12~43V 50W /1200mA /12~42V 50W /1250mA /12~40V 50W /1300mA /12~38V 50W /1350mA /12~37V 50W /1400mA /12~36V	55W /1.05A /16~53V 60W /1.2A /16~50V 60W /1.4A /16~43V 60W /1.6A /16~38V 60W /1.75A /16~35V 60W /2.0A /16~30V 60W /2.1A /16~28V	2X20W /350mA /9~57V 2X26W /500mA /9~52V 2X30W /700mA /9~42V 2X24W /900mA /9~26V Constant voltage 2X30W /12V 2X30W /24V
Power factor	≥0.93	≥0.95	≥0.95	≥0.95	≥0.95
Max. Efficiency	85%	87%	87%	85%	85%
Operation temp.	Ta: -20~+45°C Tc: +75°C	Ta: -20~+45°C Tc: +80°C	Ta: -20~+45°C Tc: +80°C	Ta: -20~+45°C Tc: +80°C	Ta: -20~+45°C Tc: +80°C
Dimming interface	DALI, Switch-Dim.	DALI, Switch-Dim., 1-10V	DALI, Switch-Dim., 1-10V	DALI, Switch-Dim.	DALI, Switch-Dim.
Driver Specification					
Model No.	HED4030-A	HED6030-A	HED2075-A	HED3075-A	
Mains voltage	220-240VAC 50/60Hz	220-240VAC 50/60Hz	220-240VAC 50/60Hz	220-240VAC 50/60Hz	
Mains current	0.175~0.16A	0.165~0.15A	0.39~0.36A	0.4~0.35A	
Output power (Max.)	30W	30W	75W	75W	
U-out max.	12V	24V	12V	24V	
Power factor	≥0.95	≥0.95	≥0.97	≥0.97	
Operation temp.	Ta: -20~+45°C Tc: +80°C	Ta: -20~+45°C Tc: +75°C	Ta: -20~+45°C Tc: +85°C	Ta: -20~+45°C Tc: +85°C	
Output current (Max.)	2.5A	1.25A	6.25A	3.125A	
Max. Efficiency	81%	85%	88%	88%	
Dimming interface	DALI, Switch-Dim., 1-10V	DALI, Switch-Dim., 1-10V	DALI, Switch-Dim., 1-10V	DALI, Switch-Dim., 1-10V	
Abnormal protection	Output short-circuit protection with auto-reset				
Over-heat protection	Over-heat protection with auto-reset				
EMC standard	EN55015, EN61547, EN61000-3-2/3				
Safety standard	EN61347-1, EN60598-1, EN61347-2-13				
DALI standard	IEC62386-101:2009; IEC62386-102:2009; IEC62386-207:2009				
Dielectric strength	Input→output: 3750VAC				
Certification	Semko, CB, CE, EMC, SAA				
IP grade	IP20				