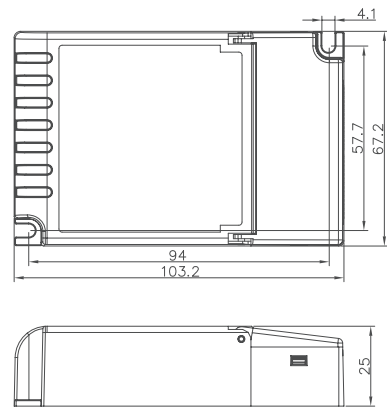
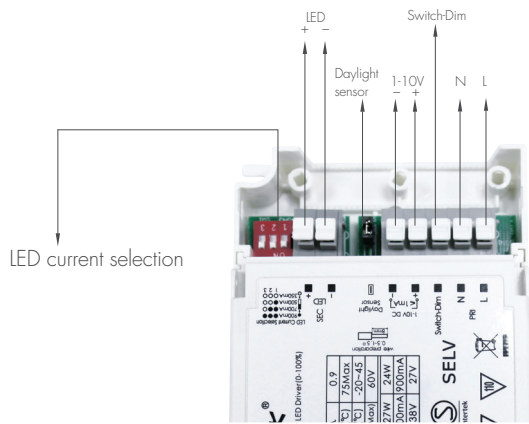


# CONSTANT CURRENT Dimmable LED Driver 1-10V Dimming & Switch-Dim

Model: HE2025-D 1X25W

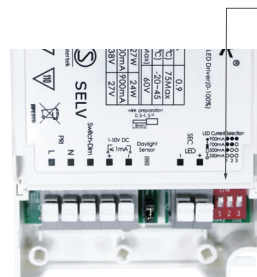


1-10V is isolated to mains and the SELV output.

Switch-Dim	PFC >0.9	>85% Efficiency	Short Circuit Protection	CONSTANT CURRENT	Synchrony	Permanent Memory
0-100% Dimming Range	1-10V dimming	Multiple Current	Over-heat Protection	Over-load Protection	Logarithmic Dimming Curve	

## LED Current Selection

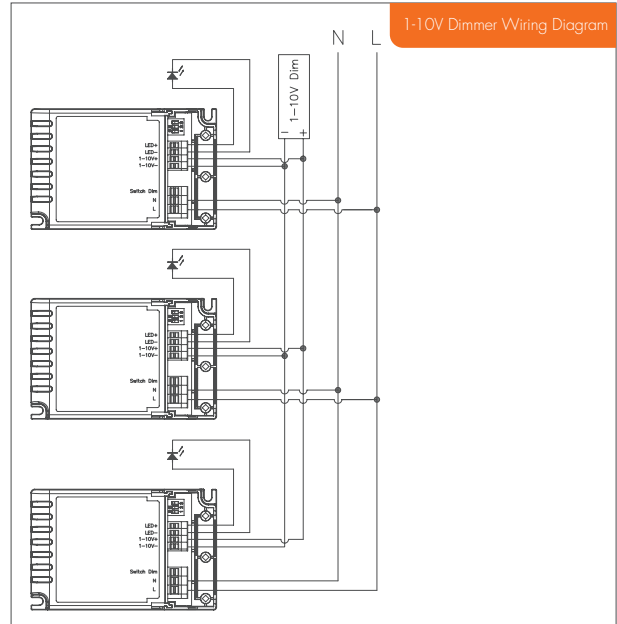
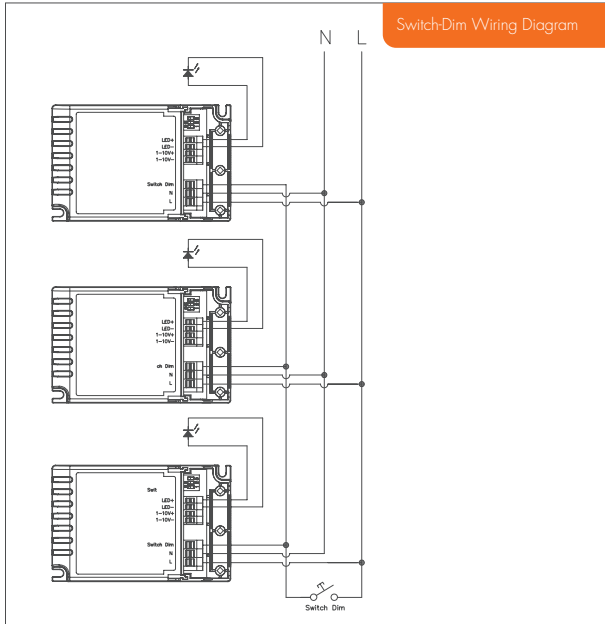
The current can be easily configured by choosing the correct combination of the DIP switches (see table on the right).



Current	1	2	3	
900mA	●	●	●	I
700mA	●	●	○	II
500mA	●	○	○	III
350mA	○	○	○	IV

## Main features

1. This driver is fully isolated, with the galvanic separation between 1-10V and secondary side, it meets up the latest EU safety standard.
2. This 1-10V driver switches off the lamp at around 1.5V, since the lowest output voltage of Hytronik interactive daylight sensor DS02 is 1.1~1.2V, it is ideal to work with DS02 to achieve DIM & OFF function.



**⚠ Warning:** Please make sure the correct current is selected before starting the driver!

Specification	
Mains voltage	220~240VAC 50/60Hz
Mains current	0.15A (Max.)
Mains power	30W (Max.)
Output voltage(U-out Max.)	60VDC (Max.)
Power factor	≥0.90
Operation temperature	Ta: -20~+45℃ Tc: 75℃
Rated output current / voltage / power	350mA/42V/15W    500mA/40V/20W 700mA/38V/27W    900mA/27V/24W
Max. Efficiency	85%
Abnormal protection	Output short-circuit protection with auto-reset.
Over-heat protection	Over-heat protection with auto-reset.
EMC standard	EN55015 EN61547
Safety standard	EN61347-1, EN61347-2-13
Certification	SEMKO, CE, EMC
Dielectric strength	Input→output: 3750VAC    Input→1-10V: 1750VAC Output→1-10V: 3750VAC    all with 5mA/1min
IP grade	IP20