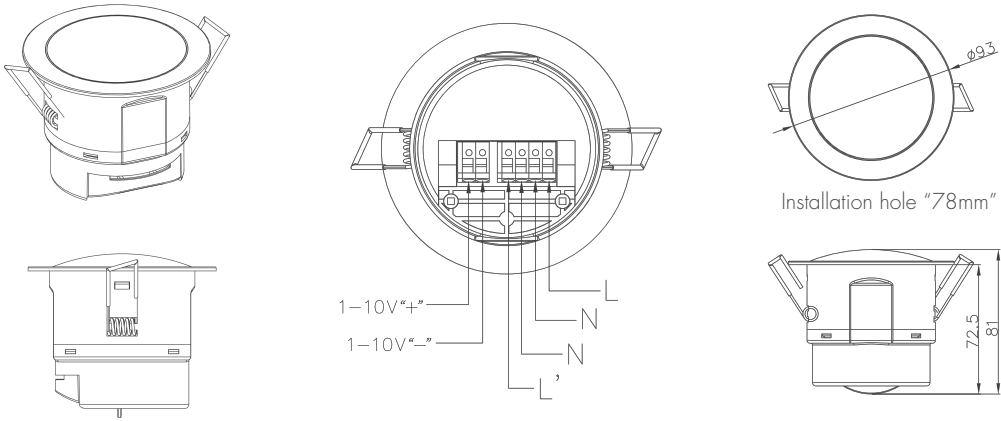


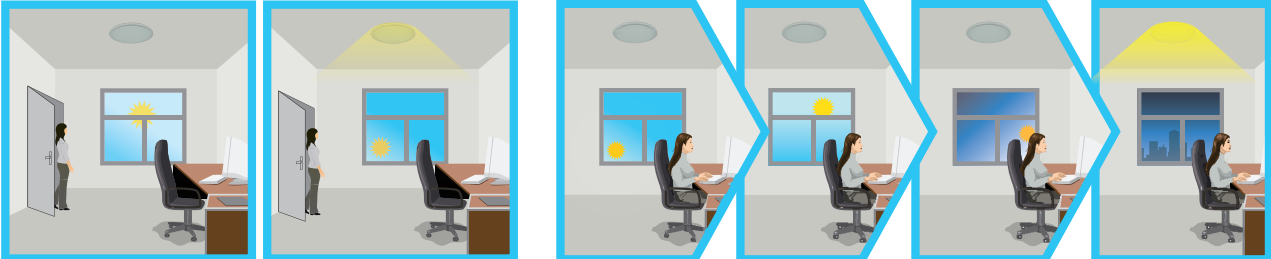
Flush Mounting Installation Daylight Harvest

Model: HC407VDS + HRC-01



- Ambient daylight threshold
- Loop in
Loop out
- 100%
Dim
Off
- soft-on
soft-off
- 1-10V
dimming
- 8hours
burn-in
- Detection Pattern
- Hold-time
30s-30min

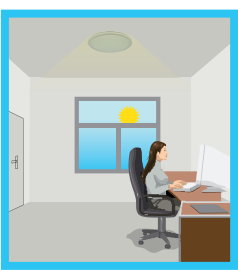
Function and Options



Light will not switch on when the nature light is sufficient, even there is movement detected.

Light switches on automatically with presence when the nature light is insufficient.

The lamp lights on at full or dims to maintain the lux level, light output regulates according to the level of natural light.



Light will be switched off if the ambient daylight is sufficient.



Light dims to standby brightness after hold time, in standby period, the light stays on the selected min level.



Light switches off automatically after the standby period passed.

Settings (Remote Control HRC-01)



Permanet ON/OFF function

Press "ON/OFF" button, the light goes to permanet on or permanet off mode.

* Press "Auto Mode", "RESET", "Scene mode" or "8H" button to quit from this mode.

Auto Mode

Sensor Mode

Press "Auto Mode" button, the sensor starts to work and all settings remain the same as the late statatus before the light was switched on/off.



Reset function

Press "RESET" button, all settings go back to default value (same as scene mode 3):

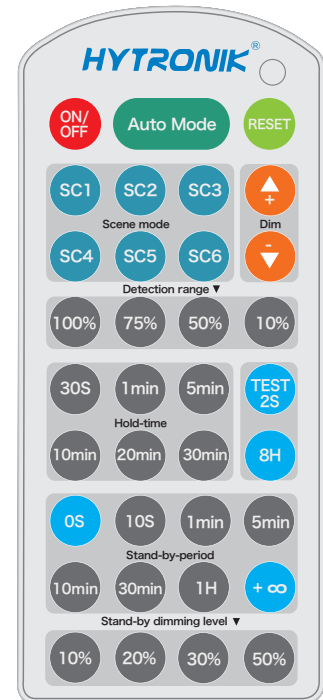
Detection range: 100%; Hold time: 5min; Stand-by period: 10min;

Stand-by dimming level: 20%; Constant lux: 100lux



Dim +/-

1. Long press "Dim +" or "Dim -" to adjust the brightness of the fixture so that the target area lux level can be constantly maintained. "+" means dimming up, "-" means dimming down.
2. Stop pressing the button when get the target brightness. The built-in daylight sensor reads the ambient lux level and mark it as the target lux level.
3. If the available natural daylight changes, the daylight sensor can measure and calculate how much artificial light is needed, and adjust the electrical brightness to maintain constant lux value.



HRC-01



Test mode

The button "Test 2s" is for only testing purpose after commissioning. Pressing this button, the sensor goes to test mode (hold time is only 2s) automatically, and stand-by period and built-in daylight sensor are disabled.

* This mode can be ended by pressing "reset", or any button of "scene mode" and "hold time". The sensor setting is changed accordingly.



8H permanent on mode

In some circumstances, people want to disable the sensor and keep the light on for a certain period of time, even there is no motion detected. This function is built-in the software and can be achieved by pressing the "8H" button on the RC.

* Press "ON/OFF", "Auto Mode", "RESET" or "Scene mode" buttons to quit from this mode.

Scene mode

There are 6 scene modes fixed program built-in the remote control to choose for different applications:

Scene options	Detection range	Hold time	Stand-by period	Stand-by dimming leve	Constant Lux
SC1	100%	1min	1min	10%	50Lux
SC2	100%	3min	5min	20%	75Lux
SC3	100%	5min	10min	20%	100Lux
SC4	100%	10min	30min	30%	150Lux
SC5	100%	20min	1H	30%	200Lux
SC6	100%	30min	+∞	50%	400Lux

Note: End-user can adjust the settings by pressing buttons of detection range/hold time/stand-by period/stand-by dimming level. The last setting stays in validity.

Detection range

Press the buttons of "detection range" to set detection range at 100%/75%/50%/10%.

Hold time

Press the buttons of "hold time" to set hold time at 30s / 1 min / 5min / 10min / 20min / 30min .

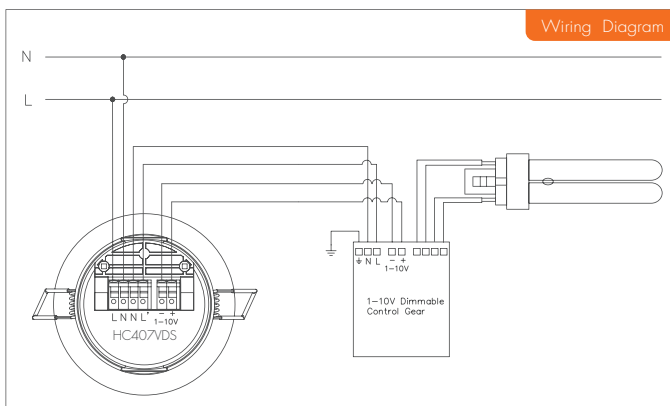
Stand-by period (Corridor function)

Press the buttons of "stand-by period (corridor function)" to set stand-by period at 0s/10s/1min/5min/10min/30min/1H/+∞.

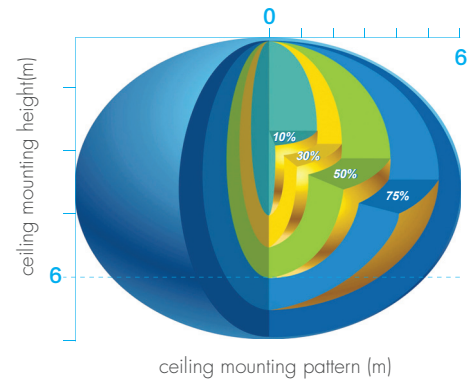
Note: "0s" means on/off control; "+∞" means 2 steps dimming control, light never switches off.

Stand-by dimming level

Press the buttons of "stand-by dimming level" to set the stand-by dimming level at 10%/20%/30%/50%.



Detection Pattern



Technical Data	
Operating voltage	120~277VAC
Switched power	120VAC@400W; 230VAC@800W; 277VAC@1000W (Capacitive load)
Standby power	<1W
Detection area	10/50/75/100%
Hold time	30s/1min/5min/10min/20min/30min
Standby period	0s/10s/1min/5min/10min/30min/1H/+∞
Standby dimming level	10%/20%/30%/50%
Sensor principle	Microwave motion detector
Microwave frequency	5.8GHz+/-75MHz
Microwave power	<0.2mW
Detection range	Max.(ØxH): 12 x 6m
Detection angle	30~150°
Mounting height	Max.6m
Operating temperature	-20°C~60°C
IP rating	IP20
Certificate	Semko, EMC, CE, R&TTE, SAA